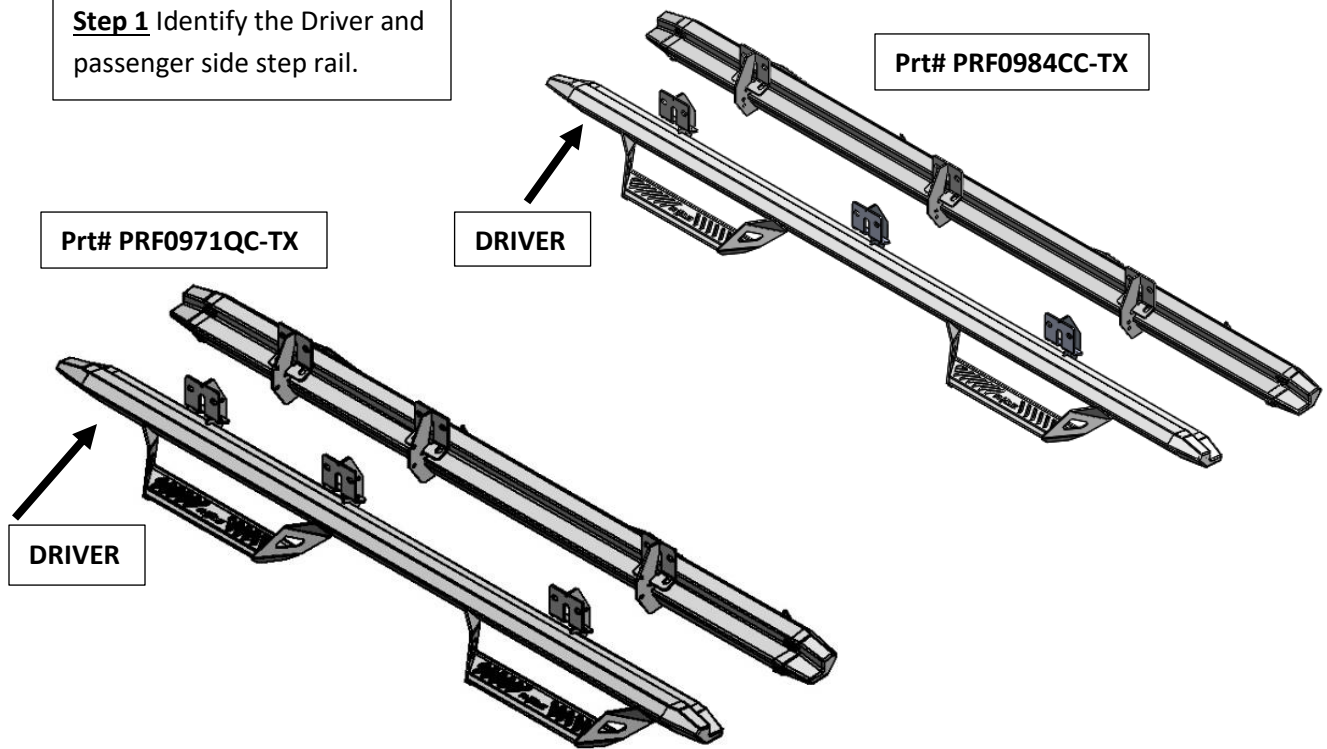


PREDATOR PRO



HARDWARE DESCRIPTION	QTY.
HWKT-00131X	1
3/8"-16 x 3/4" carriage bolts	12
3/8" washers	8
3/8"-16 flanged nuts	12
5/16"-18 x 1" hex bolts	8
5/16 threaded clips	8

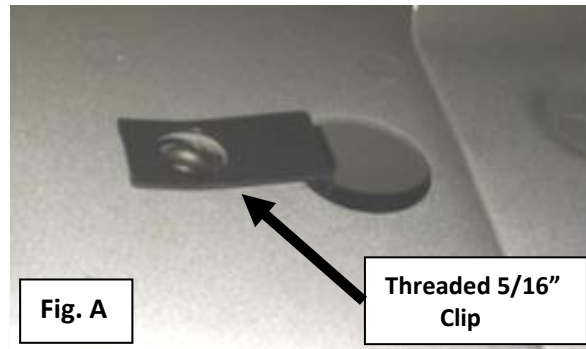
Step 1 Identify the Driver and passenger side step rail.



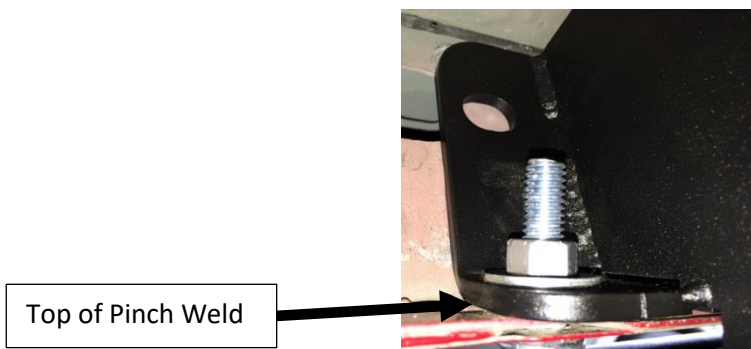
Step 2 Remove any factory-equipped running boards, fasteners, and discard.

Step 3 Next, install the four 5/16" clips into the upper factory mounting locations.

(Fig.A) Note: The center mounting location will not use the upper mounts



Step 4 Hold the Hoop Step to the underside of the vehicle. The oval holes in the Hoop Step bracket will align with the factory holes on the top pinch roll of the truck. Using the 3/8" x 3/4 hardware provided, insert the carriage bolt from the outside and attach the 3/8" flanged nut and finger tighten.



Step 5. Next, insert the two 5/16" hex head bolts and washers in the front and rear brackets. Do not fully tighten at this time.





I-SHEET #: INST-00027
PART NUMBER: PRF0984CC-TX, PRF0971QC-TX
PRODUCT: Aluminum Hoop Step
APPLICATION: 09-14 F150/RAPTOR
SUPERCREW // QUAD CAB

Step 6. Starting with the first bracket, fully tighten the bottom carriage bolts and continue with the center and rear bracket.

Step 7. Once the bottom bolts are secure, fully tighten the top 5/16" hex heads in the front and rear brackets.

Step 8. Repeat steps 2-7 with passenger side step. Your install is now complete.