



n-fab.com

a TRUCK HERO company

nfabinc f t

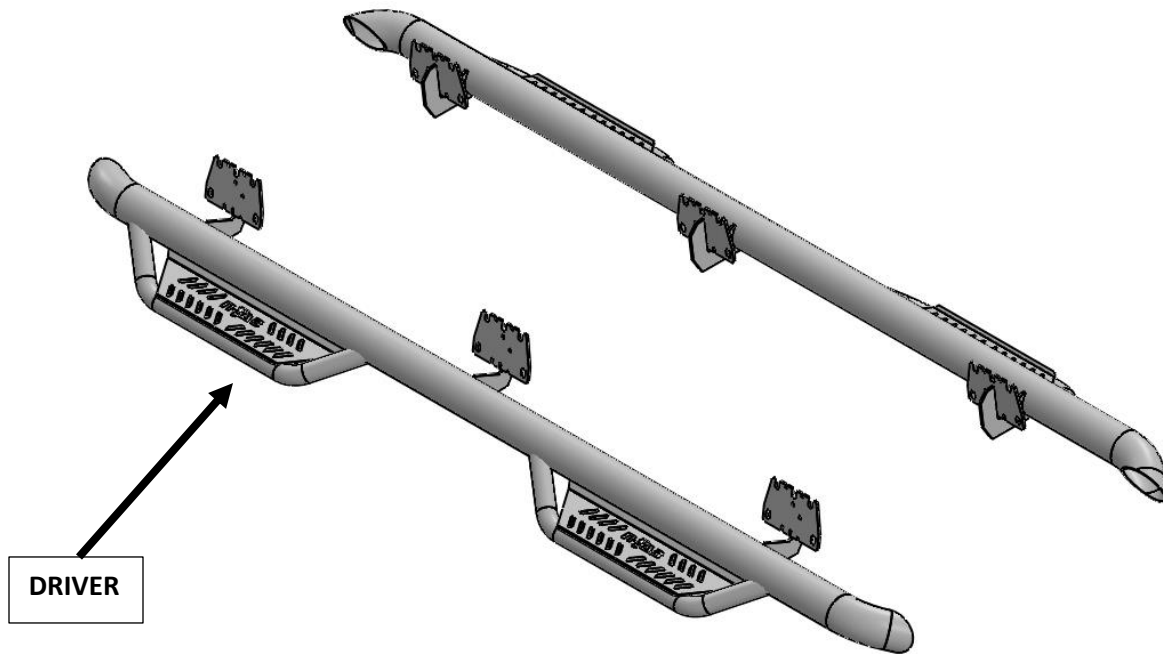
PART NUMBER: HPD1980CC-TX
PRODUCT: PODIUM HOOP STEP
APPLICATION: 2019-C RAM 1500

HARDWARE DESCRIPTION	QTY.
HWKT-00031X	
M8 – 1.25 HX FLANGED NUT	18

PARTS INCLUDED	QTY
DRIVER SIDE	1
PASSENGER SIDE	1



Step 1: Locate the driver side step rail.



Step 2: Starting with the driver side, remove any steps and old hardware from the vehicle.



Step 3: On the inside rocker panel there will be three attachment points consisting of three 8mm studs coming out from the panel. These studs may be covered in paint and will need to be cleaned before the installation.



Step 4: An additional person is recommended for this step. Carefully install the Hoop step to the three factory attachment points using the provided M8 flanged hex nuts. Leave finger tight for now.



Step 5: Next, adjust the Hoop step level with the body of the cab and tighten all hardware 30 ft. /lbs.



Step 6: Re-peat steps 3-5 for passenger side.

Your install in now complete.